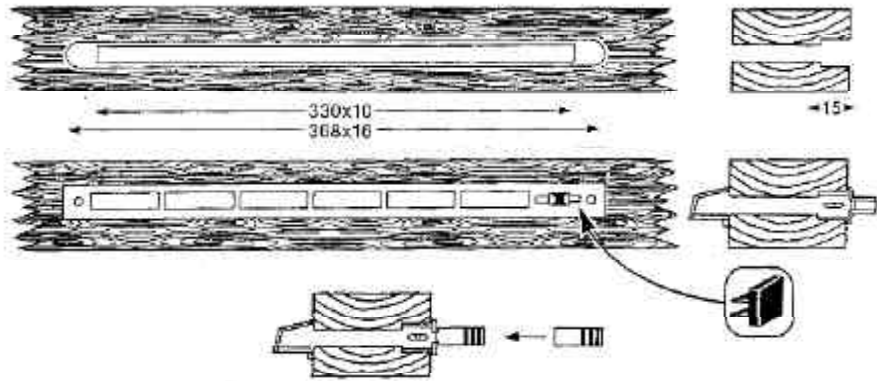
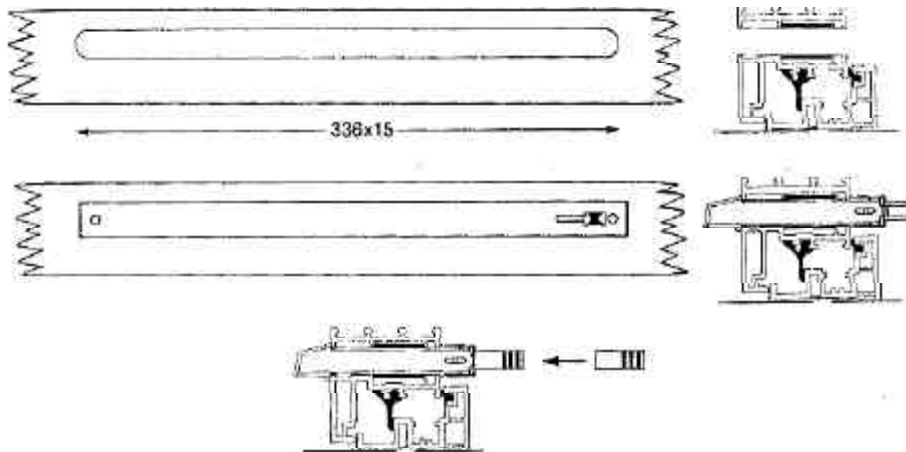


# FRESH 31F



# FRESH 32/33



# FRESH 32

